



**COBRA**  
DUCT RODS

# COBRA DUCT RODDING

[www.cobraductrods.com](http://www.cobraductrods.com)



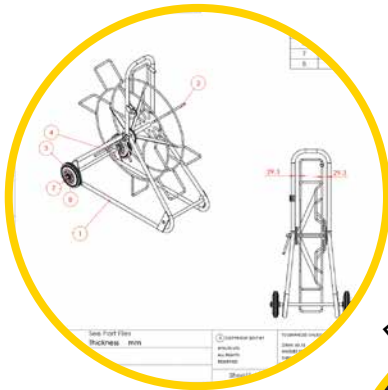
 **DESIGNED AND MADE IN  
GREAT BRITAIN**

# Ritelite Cobra

## Cable Duct Rodding Systems

Ritelite's range of continuous cable duct rodding systems offer a compact, labour saving solution whether installing cables in ducts, threading draw ropes through pipes or surveying drains with CCTV cameras. As one of the leading global manufacturers of continuous duct rodding systems, all Ritelite Cobra's are manufactured using custom built machinery designed and manufactured by us. This enables Ritelite to quickly manufacture and dispatch large quantities of rodding systems in any configuration to our worldwide customer base including next day delivery service in the UK.

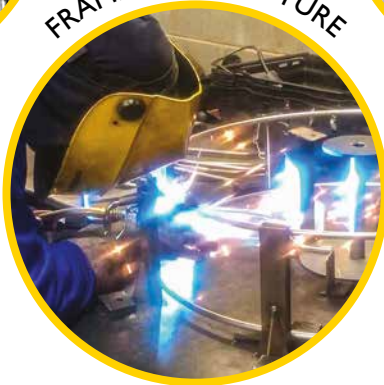
DESIGN



COBRA ROD PRODUCTION



FRAME MANUFACTURE



SYSTEM ASSEMBLY



 **DESIGNED AND MADE IN  
GREAT BRITAIN**

# Key Features

## ROBUST



Robust, zinc plated steel frames

## ROD



Highest quality, fibreglass rod radially reinforced construction

## COST EFFECTIVE



Faster and more economic than screw together drain rods

## RELIABLE



Top quality, durable components used throughout

## FITTINGS



A range of end fittings available including brass guide tip, spring, and roller

## WHEELS



Optional wheels for ease of manoeuvrability

## SAFETY BRAKE



Integral fully adjustable brake system fitted as standard

## DIMENSIONS



Available in a choice of five frame sizes



# Mini Cobra

20m – 150m lengths

with 4.5mm diameter fibreglass rod

Below is a sample of Mini Midi Cobra rodding system lengths. Other lengths are available on request.

PRODUCT CODE	DIAMETER	LENGTH
MIDCO20C4.5	4.5mm	20m
MIDCO30C4.5	4.5mm	30m
MIDCO40C4.5	4.5mm	40m
MIDCO50C4.5	4.5mm	50m
MIDCO60C4.5	4.5mm	60m
MIDCO80C4.5	4.5mm	80m
MIDCO100C4.5	4.5mm	100m
MIDCO120C4.5	4.5mm	120m
MIDCO150C4.5	4.5mm	150m



Dimensions: 480mm (w) x 530mm (h) x 200mm (d)

# Midi Cobra

20m – 150m lengths

with 6mm diameter fibreglass rod

Below is a sample of Midi Cobra rodding system lengths. Other lengths are available on request.

PRODUCT CODE	DIAMETER	LENGTH
MIDCO20C6	6mm	20m
MIDCO30C6	6mm	30m
MIDCO40C6	6mm	40m
MIDCO50C6	6mm	50m
MIDCO60C6	6mm	60m
MIDCO80C6	6mm	80m
MIDCO100C6	6mm	100m
MIDCO120C6	6mm	120m
MIDCO150C6	6mm	150m



Dimensions: 655mm (w) x 680mm (h) x 245mm (d)

# Medi Cobra

30m – 200m lengths

with 9mm diameter fibreglass rod

Below is a sample of Medi Cobra rodding system lengths. Other lengths are available on request.

PRODUCT CODE	DIAMETER	LENGTH
MEDCO30C9	9mm	30m
MEDCO40C9	9mm	40m
MEDCO50C9	9mm	50m
MEDCO60C9	9mm	60m
MEDCO80C9	9mm	80m
MEDCO100C9	9mm	100m
MEDCO120C9	9mm	120m
MEDCO150C9	9mm	150m
MEDCO200C9	9mm	200m



Dimensions: 800mm (w) x 915mm (h) x 295mm (d)

# Maxi Cobra

50m – 350m lengths

with either 9mm, 11mm or 14mm diameter fibreglass rod

Below is a sample of Maxi Cobra rodding system lengths. Other lengths are available on request.

PRODUCT CODE	DIAMETER	LENGTH
MAXCO250C9	9mm	250m
MAXCO50C11	11mm	50m
MAXCO100C11	11mm	100m
MAXCO120C11	11mm	120m
MAXCO150C11	11mm	150m
MAXCO200C11	11mm	200m
MAXCO250C11	11mm	250m
MAXCO300C11	11mm	300m
MAXCO350C11	11mm	350m
MAXCO80C14	14mm	80m
MAXCO100C14	14mm	100m
MAXCO120C14	14mm	120m
MAXCO150C14	14mm	150m
MAXCO200C14	14mm	200m



Dimensions: 1050mm (w) x 1180mm (h) x 530mm (d)

# Maxi Cobra High Capacity

250m – 500m lengths

with either 11mm or 14mm diameter fibreglass rod

Below is a sample of Maxi Cobra HC rodding system lengths. Other lengths are available on request.

PRODUCT CODE	DIAMETER	LENGTH
MAXCOHC400C11	11mm	400m
MAXCOHC500C11	11mm	500m
MAXCOHC250C14	14mm	250m
MAXCOHC300C14	14mm	300m
MAXCOHC350C14	14mm	350m
MAXCOHC400C14	14mm	400m
MAXCOHC450C14	14mm	450m
MAXCOHC500C14	14mm	500m



Dimensions: 1100mm (w) x 1260mm (h) x 700mm (d)



# Cobra Spares and Accessories

We stock a full range of spares for all our Cobra's from end fittings to lengths of rod, or replacement frames. Below is a range of our current spares and accessories. For full details check out our website or scan the QR code on the right.



## SPARE RODS

Cobra rodding spare rod kits to replace rod on Ritelite Cobra rodding systems. 4.5mm, 6mm, 9mm, 11mm or 14mm available.

PRODUCT CODE	DIAMETER	LENGTH
MIDCO20S4.5	4.5mm	20m
MIDCO60S4.5	4.5mm	60m
MIDCO150S4.5	4.5mm	150m
MIDCO20S6	6mm	20m
MIDCO60S6	6mm	60m
MIDCO150S6	6mm	150m
MEDCO30S9	9mm	30m
MEDCO80S9	9mm	80m
MEDCO200S9	9mm	200m
MAXCO250S9	9mm	250m
MAXCO100S11	11mm	100m
MAXCO250S11	11mm	250m
MAXCO500S11	11mm	500m
MAXCOHC300S11	11mm	300m
MAXCOHC450S11	11mm	450m
MAXCOHC600S11	11mm	600m
MAXCOHC200S14	14mm	200m
MAXCOHC300S14	14mm	300m
MAXCOHC400S14	14mm	400m

*This is a small sample of rod types available, please check our website for the full range. Custom lengths available.*



## SPARE FRAMES

A full range of replacement frames and reels for all Cobra rodding systems.

We can supply frames, reels or frame and reels assembled as well as a range of spare frame parts.

PRODUCT CODE	DESCRIPTION
MINIFR	Mini Midco frame and reel
MINIF	Mini Midco frame
MINIR	Mini Midco reel
MIDCOFR	Midco frame and reel
MIDCOF	Midco frame
MIDCOR	Midco reel
MEDCOFR	Medco frame and reel
MEDCOF	Medco frame
MEDCOR	Medco reel
MAXCOFR	Maxco frame and reel
MAXCOF	Maxco frame
MAXCOR	Maxco reel
MAX-XLFR	Maxco HC frame and reel
MAX-XLF	Maxco HC frame
MAX-XLR	Maxco HC reel

## REPAIR AND SPARES KITS

Cobra repair kits to mend any size cobra if rod damaged mid reel, or kits to repair any cobra that has lost an end fitting or guide tip.



## FRAME SPARES

As well as offering replacement frame and reels we also offer spare frame fittings including guide eyes, wheels, handles and pins.



## SONDE TRANSMITTERS

Suitable for all Ritelite cobra rodding systems. Battery operated.



## SONDE ADAPTORS

To enable sonde transmitters to be fitted to any Ritelite cobra rodding system.



## END FITTINGS

Replacement brass end fittings are available for all rod diameters we offer.



## END FITTING ATTACHMENTS

A wide range of attachments for end fittings are available including guide tips, roller guides and ball ends.



## REPAIR SPLICES

Individual repair splices are available to mend any size cobra if the rod is damaged mid reel.



## ADDITIONAL ADAPTORS

We offer a range of adaptors to allow other types of attachment to be attached to the Cobra end fittings.





## REPAIR KITS FOR BROKEN ROD

The cobra rodding repair kit is ideal if your Cobra duct rod has snapped, split or kinked in the middle of your reel. The kit is made up of 1 x epoxy glue and 1 x repair splice. Kits are available for 4.5mm, 6mm, 9mm, 11mm and 14mm rod.

PRODUCT CODE	DESCRIPTION
MIDCOPACK/4.5/1	Repair kit for 4.5mm rod
MIDCOPACK/6.0/1	Repair kit for 6mm rod
MEDCOPACK/9/1	Repair kit for 9mm rod
MAXCOPACK/11/1	Repair kit for 11mm rod
MAXCOPACK/14/1	Repair kit for 14mm rod



## END FITTING REPAIR KITS

A cobra rodding spares kit is required if the end of your Cobra rod has snapped off or to have on standby just in case it does break. The kits are made up of 1 x epoxy glue, 1 x end fitting and 1 x guide tip. Kits are available for 4.5mm, 6mm, 9mm, 11mm and 14mm rod.

PRODUCT CODE	DESCRIPTION
MIDCOPACK/4.5/2	Spares kit for 4.5mm rod
MIDCOPACK/6.0/2	Spares kit for 6mm rod
MEDCOPACK/9/2	Spares kit for 9mm rod
MAXCOPACK/11/2	Spares kit for 11mm rod
MAXCOPACK/14/2	Spares kit for 14mm rod



## FRAME SPARES

Frame spares available for all frame types including rod guiding eyes, brake handles and replacement wheels.

PRODUCT CODE	DESCRIPTION
MAXCO/POLO-COMLETE	Rod guiding eye, complete for all Cobras.
MIDCOBH	Brake handle for Midco
MEDCOBH	Brake handle for Medco
MAXCOWH	Wheel for Medco and Maxco
MAXCOWSP	Split pin for Medco and Maxco
MID/MED/NB	Nylon bush for Midco and Maxco
MAXCOBD	Brake disc for Maxco frames

*This is a small sample of frame spares available, please check our website for the full range.*



## SONDE TRANSMITTERS

Sondes are ideal for finding the position of blockages by tracing the paths of pipes, drains, ducts and sewers. They are often used in conjunction with a cable locator. The type of sonde you require will depend on the application.

PRODUCT CODE	DESCRIPTION
CL/YIRSD-33	ø24mm 33kHz duct sonde
CL/YIRS-512	Metal pipe sonde
CL/YIRS-8	General purpose pipe sonde 8kHz
CL/YIRS-33	ø38mm pipe sonde 33kHz



## SONDE ADAPTORS

Sonde adaptors enable you to attach any battery-operated sonde transmitter onto the end of any Ritelite cobra rodding system. The type of adaptor required will be determined by the thread of the end fitting attached to your reel.

PRODUCT CODE	DESCRIPTION
MAXCOSA	Standard M5 to M10 sonde adaptor
MAXCOAD/911	Standard M12 to M10 sonde adaptor
MIDCOFLE/SA	Flexible M5 to M10 sonde adaptor
MAXCOFLE/SA	Flexible M12 to M10 sonde adaptor



## END FITTINGS

End fittings are available for all Cobra rod diameters. They are attached to the end of the rod to allow additional attachments such as guide tips.

PRODUCT CODE	DESCRIPTION
MIDCOEF/4.5	End fitting for 4.5mm rod. M5 thread
MIDCOEF/6	End fitting for 6mm rod. M5 thread
MIDCOEF/9	End fitting for 9mm rod. M12 thread
MIDCOEF/11	End fitting for 11mm rod. M12 thread
MIDCOEF/14	End fitting for 14mm rod. M12 thread



## END FITTING ATTACHMENTS

We offer a wide range of end fitting attachments to fit our Cobra rod end fittings.

PRODUCT CODE	DESCRIPTION
MIDCOGT	Guide tip for Midco, M5 thread
MAXCOGT	Guide tip for Medco & Maxco, M12 thread
MAXCOGTSL	Slim guide tip for Medco & Maxco M12 thread
MIDCOFLE/SP	Flexi end spring for M5 thread
MAXCOFLE/SP	Flexi end spring for M12 thread
MIDCO/BE5	Black ball end for M5 thread
MAXCO/BE4	Black ball end for M12 thread
MIDCORGT	Roller guide tip for M5 thread
MAXCORGT	Roller guide tip for M12 thread



## REPAIR SPLICES

Brass fittings that can be used to repair any Ritelite cobra rodding system if it has snapped, split, or kinked in the middle of the reel. Ritelite repair splices require Ritelite's epoxy glue to fit and can be purchased as a single item or in a repair kit.

PRODUCT CODE	DESCRIPTION
MIDCORK/4.5	Repair splice for 4.5mm rod
MIDCORK/6	Repair splice for 6mm rod
MIDCORK/9	Repair splice for 9mm rod
MIDCORK/11	Repair splice for 11mm rod
MIDCORK/14	Repair splice for 14mm rod



## ADDITIONAL ADAPTORS

Allows other types of attachment to be attached to the Cobra end fittings.

PRODUCT CODE	DESCRIPTION
MAXCO/H2397	Universal 3/4" female to M10 female
MIDCO/M5UN	Universal 3/4" to M5 female thread
CL-YIRSD-33-SA	Universal 3/4" to M12 female thread
MAXCO/M12LF	Lockfast male to M12 female thread
MAXCO/M12-M20ADP	M12 to M20 female swivel adaptor

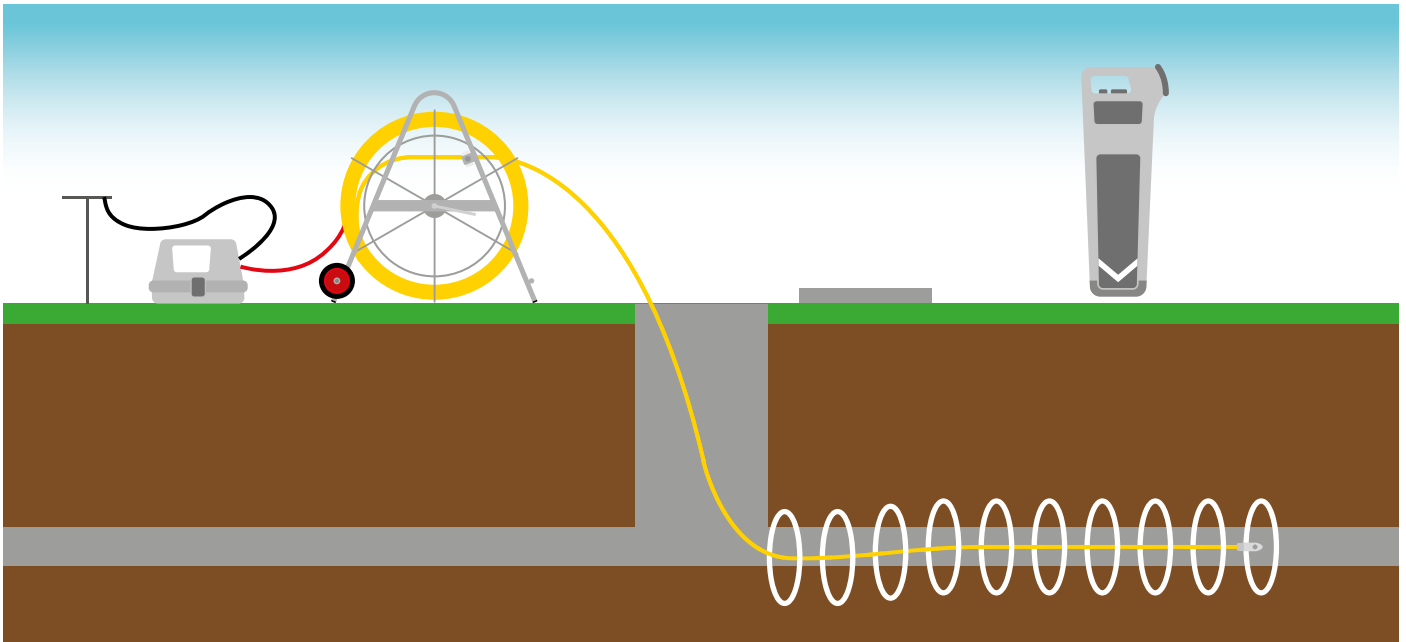


# COBRA

---

## QUICKTRACE

The 'Quick Trace' model of duct rodding systems includes two copper wires embedded in the rod which allows the rod to be fully traceable once a signal generator is connected for additional functionality.



## Quick Trace Midi Cobra

50m – 150m lengths

with 6mm diameter fibreglass rod

Below is a sample of Midi Cobra rodding system lengths. Other lengths are available on request.

PRODUCT CODE	DIAMETER	LENGTH
MIDCO50QT6	6mm	50m
MIDCO80QT6	6mm	80m
MIDCO100QT6	6mm	100m
MIDCO120QT6	6mm	120m
MIDCO150QT6	6mm	150m



Dimensions: 655mm (w) x 680mm (h) x 245mm (d)

# Quick Trace Medi Cobra

50m – 200m lengths

with 9mm diameter fibreglass rod

Below is a sample of Medi Cobra rodding system lengths. Other lengths are available on request.

PRODUCT CODE	DIAMETER	LENGTH
MEDCO50QT9	9mm	50m
MEDCO80QT9	9mm	80m
MEDCO100QT9	9mm	100m
MEDCO120QT9	9mm	120m
MEDCO150QT9	9mm	150m
MEDCO200QT9	9mm	200m



Dimensions: 800mm (w) x 915mm (h) x 295mm (d)

# Quick Trace Maxi Cobra

100m – 300m lengths

with 11mm diameter fibreglass rod

Below is a sample of Maxi Cobra rodding system lengths. Other lengths are available on request.

PRODUCT CODE	DIAMETER	LENGTH
MAXCO100QT11	11mm	100m
MAXCO150QT11	11mm	150m
MAXCO200QT11	11mm	200m
MAXCO250QT11	11mm	250m
MAXCO300QT11	11mm	300m



Dimensions: 1050mm (w) x 1180mm (h) x 530mm (d)

# COBRA

## FLEXITRACE



The Flexitrace system gives a compact and labour saving solution when locating non-metallic ducts and drains. This provides the benefits of a sonde and a continuous trace system in one compact unit. An improved coil size of 8.3mm diameter allows far better flexibility when rodding through small diameter ducts, 1/2 inch (12.7mm) water and gas pipes, including the joints and bends on those pipes down to a bend radius of approximately 250mm.



## 4.5mm Flexitrace

20m – 100m lengths  
with 4.5mm diameter reinforced fibreglass rod

Below is a sample of 4.5mm Flexitrace system lengths. Other lengths are available on request.

PRODUCT CODE	DIAMETER	LENGTH
MIDCO20TC4.5	4.5mm	20m
MIDCO30TC4.5	4.5mm	30m
MIDCO40TC4.5	4.5mm	40m
MIDCO50TC4.5	4.5mm	50m
MIDCO60TC4.5	4.5mm	60m
MIDCO80TC4.5	4.5mm	80m
MIDCO100TC4.5	4.5mm	100m

## 6mm Flexitrace

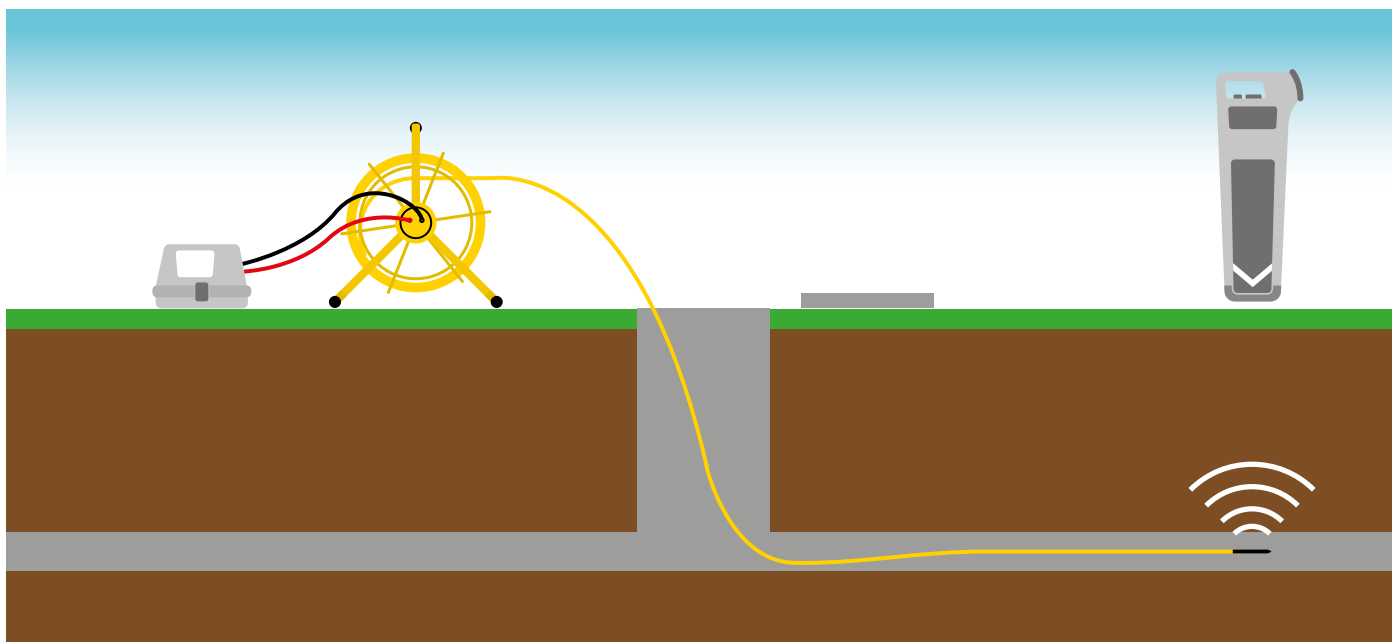
50m – 150m lengths  
with 6mm diameter reinforced fibreglass rod

Below is a sample of 6mm Flexitrace system lengths. Other lengths are available on request.

PRODUCT CODE	DIAMETER	LENGTH
MIDCO50TC6.7	6mm	50m
MIDCO60TC6.7	6mm	60m
MIDCO80TC6.7	6mm	80m
MIDCO100TC6.7	6mm	100m
MIDCO120TC6.7	6mm	120m
MIDCO150TC6.7	6mm	150m

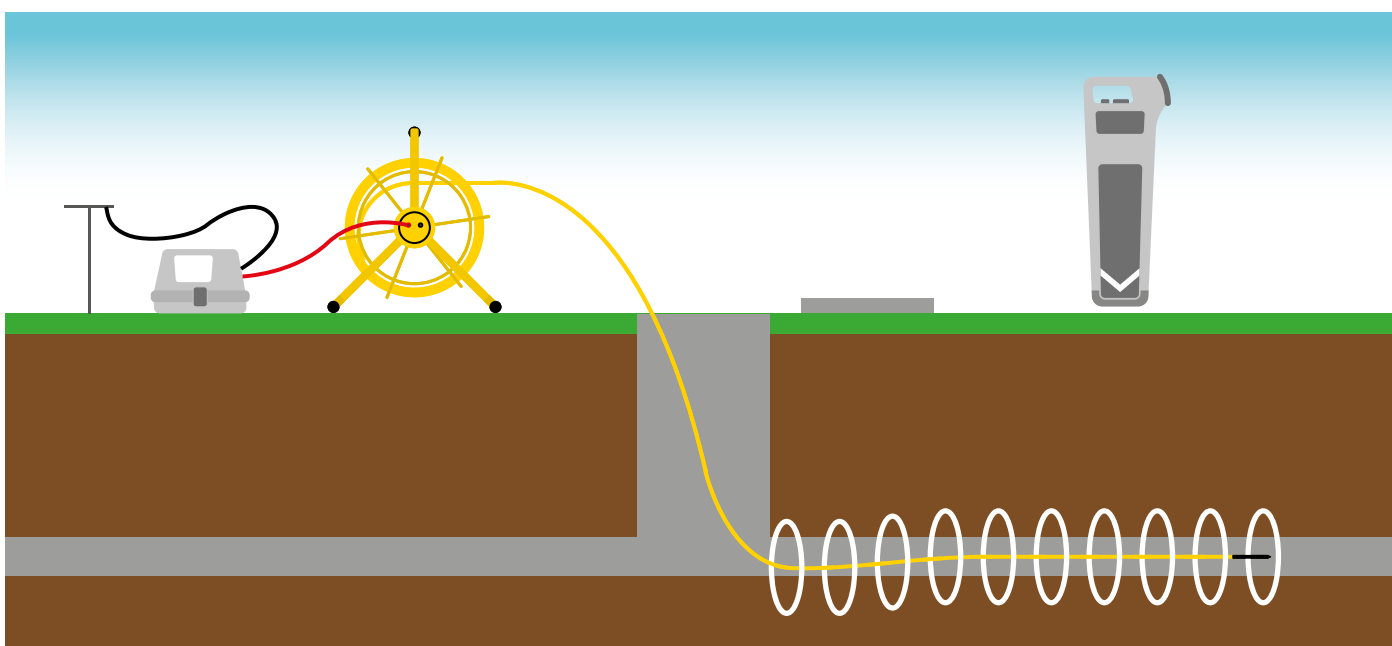
# Flexitrace used in Sonde Mode

To locate the sonde within a non-metallic duct or drain, you need to energise the end coil, to activate the sonde. This is done by connecting both of the Flexitrace's terminals to a signal generator. This will allow you to determine the end point and the depth of your duct or drain.



# Flexitrace used in Line Mode

To locate the direction of the non-metallic duct or drain, attach a signal generator to one of the terminals of the Flexitrace and an earth stake (or other independent earth). The Flexitrace can be pushed the length of the duct or drain and then traced along its complete length with a Cable Avoidance Tool (CAT receiver).





## ROD

- Highest quality 4.5mm or 6mm reinforced fibreglass rod complete with two 0.5mm copper trace wires
- UV inhibited coating.
- 4.5mm fitted with tuned coil in robust nylon housing at 8.3mm diameter
- 6mm fitted with tuned coil in robust nylon housing at 10.3mm diameter

## FRAME

Rugged steel construction with weatherproof powder coat finish. Incorporating compact junction box fitted with quality screw lugs suitable for attaching feeds from a signal generator by fork terminals or crocodile clips.



## DIMENSIONS

Two frame sizes available depending on diameter and length of rod ordered.

Small frame: 440mm (w) x 490mm (h) x 260mm (d)

Large frame: 680mm (w) x 710mm (h) x 280mm (d)

**For further information please get in touch with us**

# COBRA DUCT RODS

[sales@cobraductrods.com](mailto:sales@cobraductrods.com)

**UK Enquiries: +44 (0) 1780 758585**

**Non UK Enquiries: +44 (0) 1780 758582**

**+49 (0) 7623 3074308**

**+49 (0) 1764 5822464**

Registered in Netherlands Chamber of Commerce (KVK) No. 864512867

Registered in England and Wales No. 2225641

UK registered address: Ritelite (Systems) Ltd, Meadow Park, Bourne Road, Essendine, Stamford, Lincolnshire, PE9 4LT

[www.cobraductrods.com](http://www.cobraductrods.com)